



Filippi
RACING ROWING BOATS

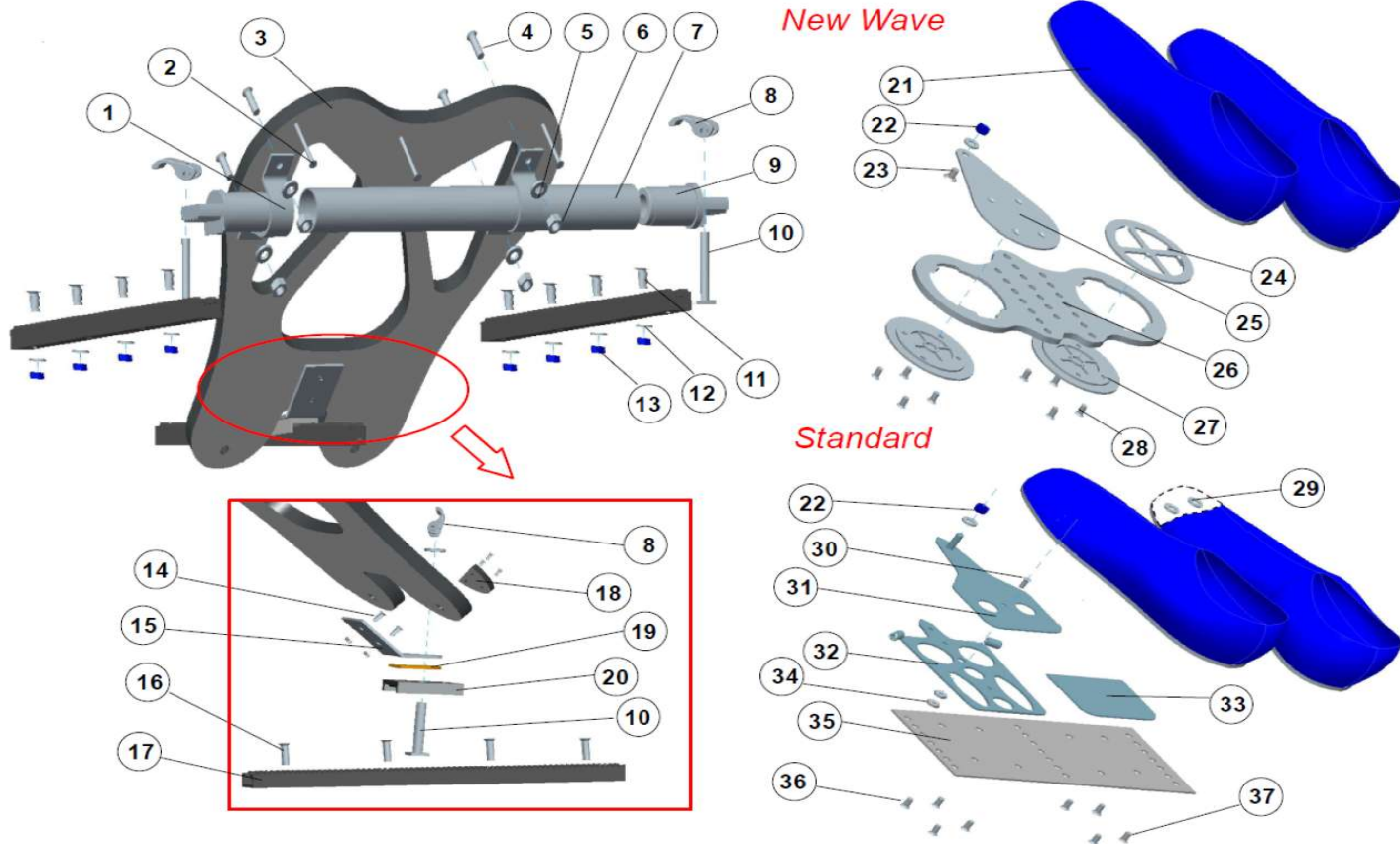
SPARE PARTS CATALOGUE



Filippi Lido S.r.l.- Via Matteotti 113- 57022 Donoratico (Italy) ph. +39 0565 777311 fax +39 0565 777483

INDEX

- STRETCHER
- RAILS
- SINGLE ACTION SEAT
- DOUBLE ACTION SEAT
- ADJUSTABLE SEAT
- FINS & RUDDERS
- AeRowFin & RUDDER
- STANDARD ALUMINIUM SCULL RIGGER
- STANDARD ALUMINIUM SWEEP RIGGER
- TRADITIONAL BACKSTAY
- ADJUSTABLE BACKSTAY
- MONOTUBE CARBON RIGGER
- ALUMINIUM WING SCULL RIGGER
- ALUMINIUM WING SWEEP RIGGER
- CARBON WING SCULL RIGGER
- CARBON WING SWEEP RIGGER
- ALIANTE CARBON SCULL RIGGER
- ALIANTE ALUMINIUM SCULL RIGGER
- OTHER ACCESSORIES



Stretcher

N°	Code	Description
	VAPEG3010	Pair of Adidas shoes with plate and mounted steering hardware
	VAPEF2010	Pair of Adidas shoes with mounted carbon plate
	VAPEF2000	Pedana completa con scarpe da canottaggio, fissa
	VAPEG3000	Steering stretcher complete with fixed rowing shoes
	VAPEG3001	Hardware for steering stretcher
1	VAPECAVA	Anodized aluminum clevis pin.
2	AVV6025	6x25 mm screw for fixing std. and new wave plate (device for standard plate shown in diagram)
3	VAPEF2002	*Carbon footplate for F15
	VAPEF2002	*Carbon footplate for F13 and F36
	VAPEF2002	* Carbon footplate for F14, F18, F21 and F39
	VAPEF2002	* Carbon footplate for all boats except the previous
4	AVV5020	5x20mm screw for mounting clevis pins
5	VABXXA005A	Washer Ø 5mm for mounting clevis pins
6	AVD5A	Nut Ø 5mm for mounting clevis pins
7	VAPEX4020	Aluminum crossbar
8	VABXMCLAR	Eccentric lever for quick attachment
8 bis	VABXMCPF	Pin with holes for quick attachment
9	VAPEX4055	Nylon tube plug
10	AVB6025	Bolt 6x25mm TQ
11	AVV4035	Screws 4X35mm for mounting stretcher bracket for F11, F13, F17 (if for athletes <90Kg), F30, F31, F36
	AVV4025	Screws 4X25mm for mounting stretcher bracket for all boats except the previous

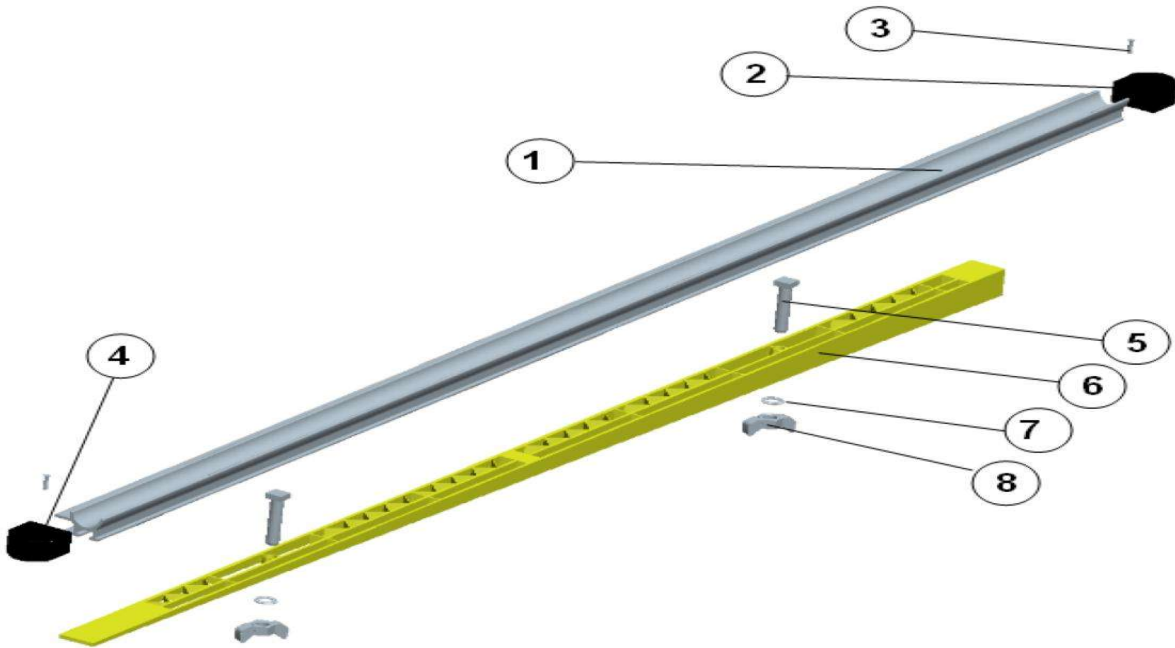
12	VABXXA004A	Ø4µµ washer
13	AVD4	Ø4µµ Keps nuts
14	AVV4016	4x16mm screws, for wing nut attachment
15	VAPEX4040	stainless steel wing nut
16	AVV3519	3.5x19 mm screws for mounting keel bracket
17	VAPEX4060	plastic bracket (1 piece)
18		Wedge for steering shoe heel complete with no. 3 fastening screws
19	VAPEX4050	Inserts for pitch adjustment
20	VAPEX4075	Rectangular plug for
21	VAPEX4000	Adidas rowing shoes
22	AVD6A	self-locking nut M6
23	AVV6025	Phillips head screw m6x25 with countersunk head
24+27	VAPEX4038	pair of discs (upper and lower) for "new wave" stretcher
	VAPEX4038N	pair of discs (upper and lower) for "new wave" stretcher, for Adidas shoes, new type
25	VAPEX4038GN	"new wave" steering stretcher, new model of Adidas
27	VAPEX4038GI	lower disk for "new wave" stretcher
26	VAPEG3030	carbon plate for "new wave" for F15
	VAPEG3030	carbon plate for "new wave" for F13 and F36
	VAPEG3030	carbon plate for "new wave" for all boats except the previous
28	AVV5016	5x16mm screw for fastening the "new wave" shoe system
29	VAPEX4047	washer for inside of shoes
30	AVBA4M6030	M x30 flange bolt, for mounting standard steering shoe stretcher
31+32	VAPEG3001	steering shoe stretcher, standard
33		carbon wedge to level the thickness of the steering shoe
34	AVDESAG	AE6 mm hex nut for mounting standard steering shoe stretcher
	AVD6C	Lowered AE6 mm hex nut for mounting standard steering shoe
35	VAPES3030	carbon plate 7 holes for f15
	VAPES3030	carbon plate 7 holes for F13 and F36
	VAPES3030	carbon plate 7 holes for all boats except the previous ones
36	AVV5010	5x10 screws for fastening the standard shoe system
37		as with detail 28 if Article 33 is present otherwise like 36

*provide serial number or type of boat



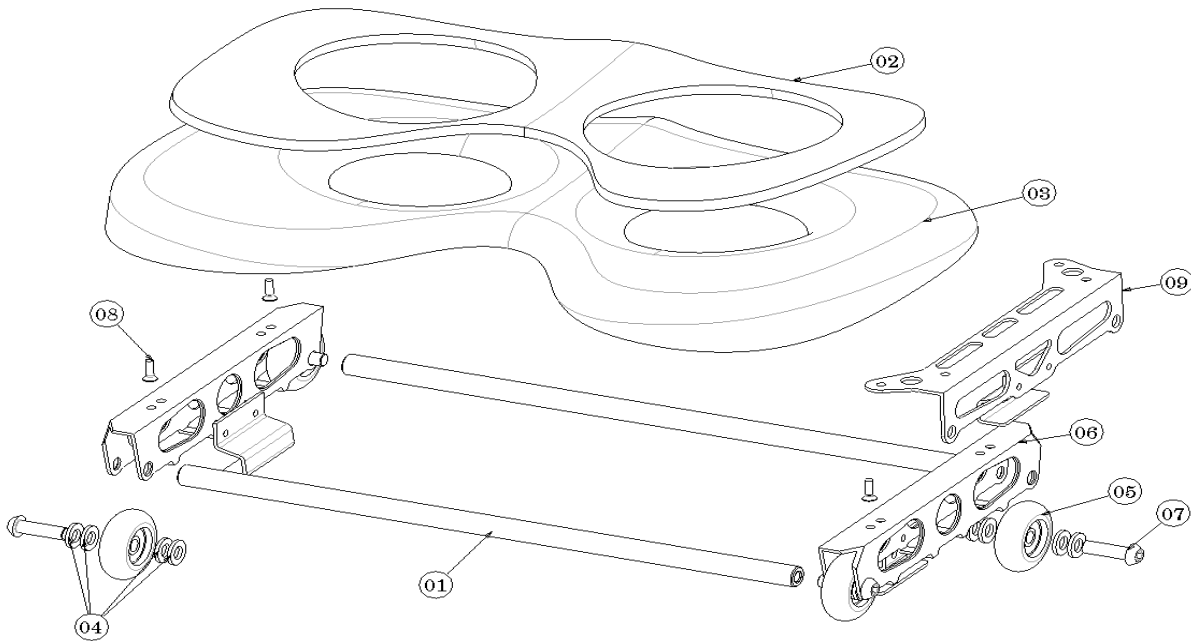
Filippi Lido S.r.l.- Via Matteotti 113- 57022 Donoratico (Italy) ph. +39 0565 777311 fax +39 0565 777483

CATALOGUE 2009 -- N° 29



Rails

N°	Code	Description
1	VACAX6000	Pair of alloy 85 cm SEAT RAILS, complete with backstops
	VACAX6000L	Pair of alloy 90 cm SEAT RAILS, complete with backstops
2	VACAX6001A	Right rail backstop
3	AVV2995A	Backstop fastening screw 2.9 x95
4	VACAX6001	Left rail backstop
5	AVB5037	Rail mounting bolt
6	VACAX5010	Plastic underrail
7	VABXXA515A	Washer 5 wide
8	AVD5	Wing nut 5 for fastening rail



Single action seat

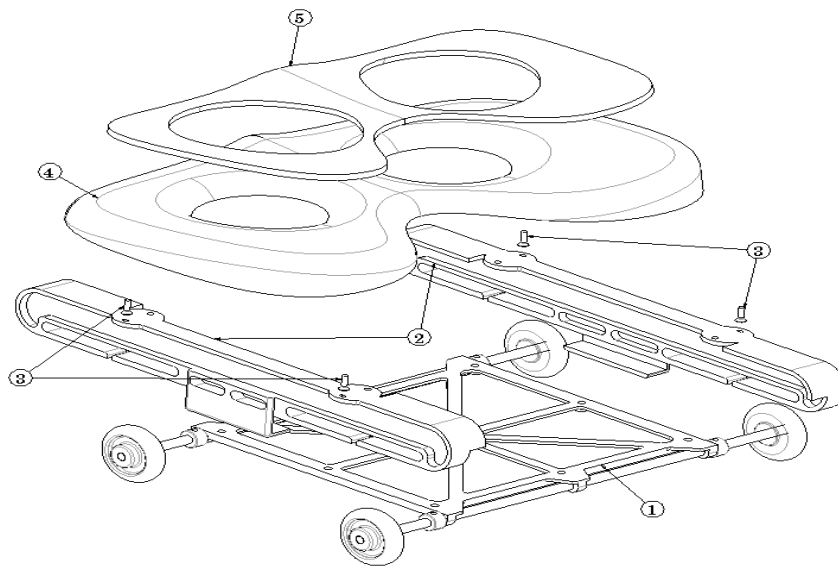
N°	Code	Description
	VACAF1017	Single action seat undercarriage 17
	VACAF1023	Single action seat undercarriage 23
	VACAF1025	Single action seat undercarriage 25
	VACAF1028	Single action seat undercarriage 28
	VACAF1030	Single action seat undercarriage 30
1	VACAXX	* Threaded spacers for units 17-23-25-28-30
2	VACAX7017	Trolley seat top for 17 cm
	VACAX7023	Seat top for units 23/25cm
	VACAX7028	Seat top for units 28/30cm
3	VACAS1417	Carbon seat 17
	VACAS1423	Carbon seat 23
	VACAS1428	Carbon seat 28
	VACAF1217	Fixed wheel undercarriage 17 cm
	VACAF1223	Fixed wheel undercarriage 23 cm
	VACAF1225	Fixed wheel undercarriage 25 cm
	VACAF1228	Fixed wheel undercarriage 28 cm
4	VABXXA006A	Washer 6
5	VACAF1400	Wheel bearing
6	VACAX1200	U-piece for standard unit
	VACAF1017+1	Single action seat undercarriage 17, + 1cm high
	VACAF1017+2	Single action seat undercarriage 17, + 2 cm high
	VACAF1217+1	Fixed wheel undercarriage 17 cm, + 1cm high
	VACAF1217+2	Fixed wheel undercarriage 17 cm, + 2 cm high
7	AVV6030A	Wheel bolts (M6x30)
8	AVV3210	Self-fastening screw 3.2 x 10 stainless steel.
9	VACAX120030S	Left stainless steel angle bar for Single action seat 30
	VACAX120030D	Right stainless steel angle bar for Single action seat 30

* specify wheelbase measurements



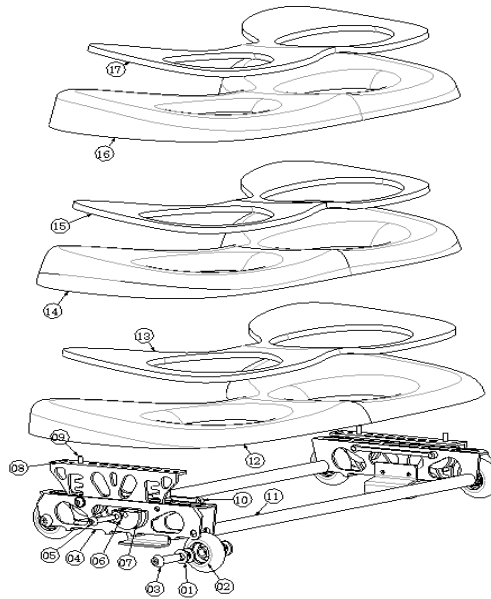
Filippi Lido S.r.l.- Via Matteotti 113- 57022 Donoratico (Italy) ph. +39 0565 777311 fax +39 0565 777483

CATALOGUE 2009 -- N° 29



Double action seat

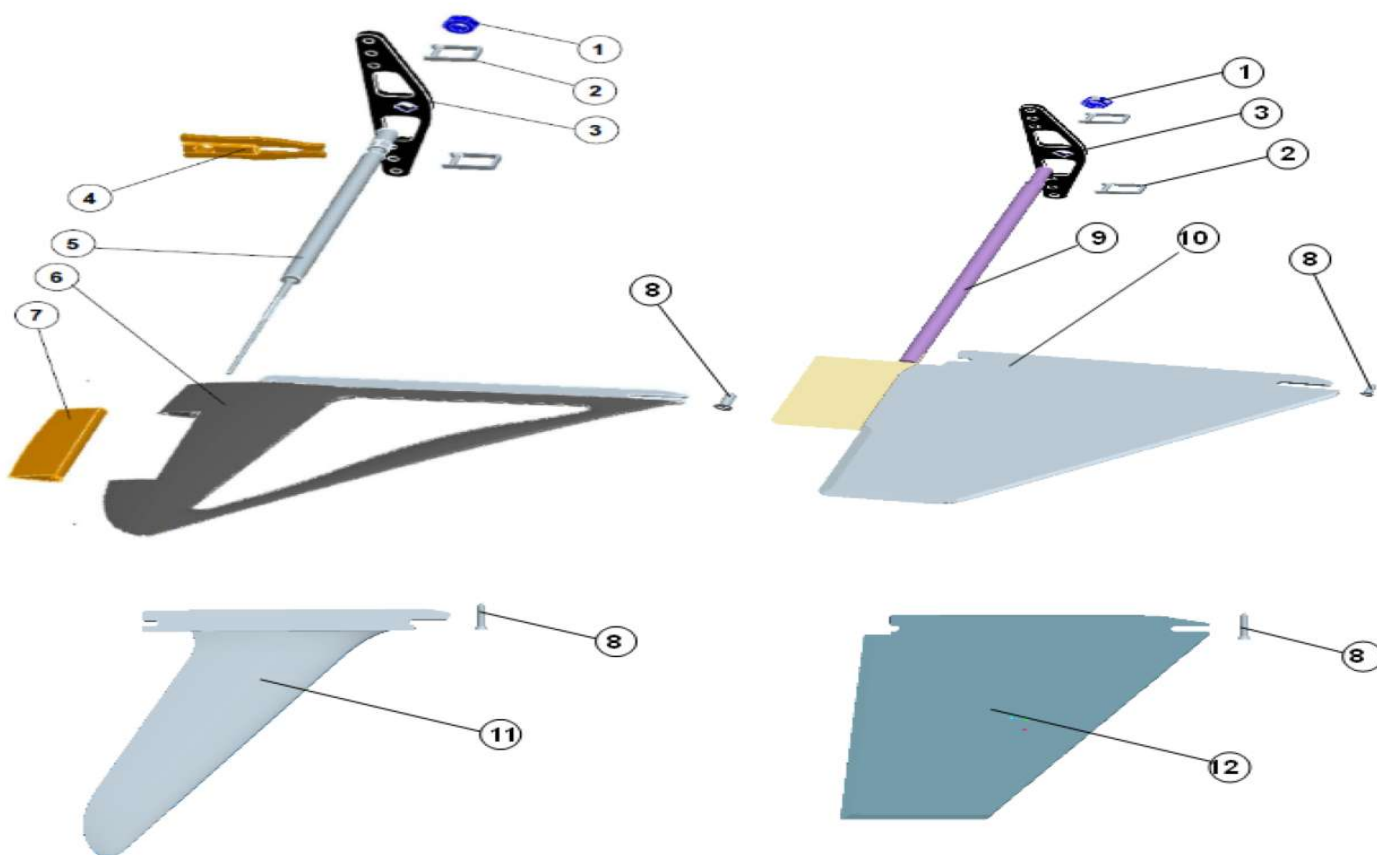
N°	Code	Description
	VACAS1017	Double action seat wheelbase 17 cm
	VACAS1023	Double action seat wheelbase 23 cm
	VACAS1028	Double action seat wheelbase 28 cm
1	VACAS1217	Chassy with wheelbase 170
	VACAS1223	Chassy with wheelbase 230
	VACAS1228	Chassy with wheelbase 280
2	VACAS1500	cradle
3	AVV2913A	Self fastening stainless steel screw. 2.9 X13 t.p.
4	VACAS1428	Carbon seat 28
	VACAS1423	Carbon seat 23
	VACAS1428	Carbon seat 28
	VACAS1428	Carbon seat 30
5	VACAX7017	Seat top for 17 cm
	VACAX7023	Seat top for cm 23/25
	VACAX7028	Seat top for cm 28/30



Adjustable seat

N°	Code	Description
	VACAFR1017	Adjustable seat undercarriage 17
	VACAFR1023	Adjustable seat undercarriage 23
	VACAFR1028	Adjustable seat undercarriage 28
	VACAFR1030	Adjustable seat undercarriage 30
1	VABXXA006A	Washer 6
2	VACAF1400	Wheel bearing
3	AVV6030A	Wheel bolts (M6x30)
4	VACAX1200R	U-piece for adjustable fixed wheel unit
5	VACAXXRV4	screw for adjustable M4 undercarriage
6	VACAXXRRM4	stainless steel washer M4
7	VACAXXRSP	PVC insert for adjustable unit
8	VACAX1200RS	stainless steel angle bar for adjustable unit 17/23/28 Left
	VACAX1200RD	stainless steel angle bar for adjustable unit 17/23/28 Right
	VACAX1200R30S	stainless steel angle bar for adjustable unit 30 Left
	VACAX1200R30D	stainless steel angle bar for adjustable unit 30 Left
9	VACAXXRV35	Stainless steel self-fastening screw 3.5 X 9.4 TBTC
10	VACAXXRD4	M4 "Eight" nut for adjustable unit
11	VACAXX	* Threaded spacers for units 17-23-25-28-30
16	VACAS1417	Carbon seat 17
14	VACAS1423	Carbon seat 23
12	VACAS1428	Carbon seat 28
	VACAS1428	Carbon seat 30
17	VACAX7017	Seat top for 17cm
15	VACAX7023	Seat top for 23/25cm
13	VACAX7028	Seat top for 28/30 cm

* Specify wheelbase measurement



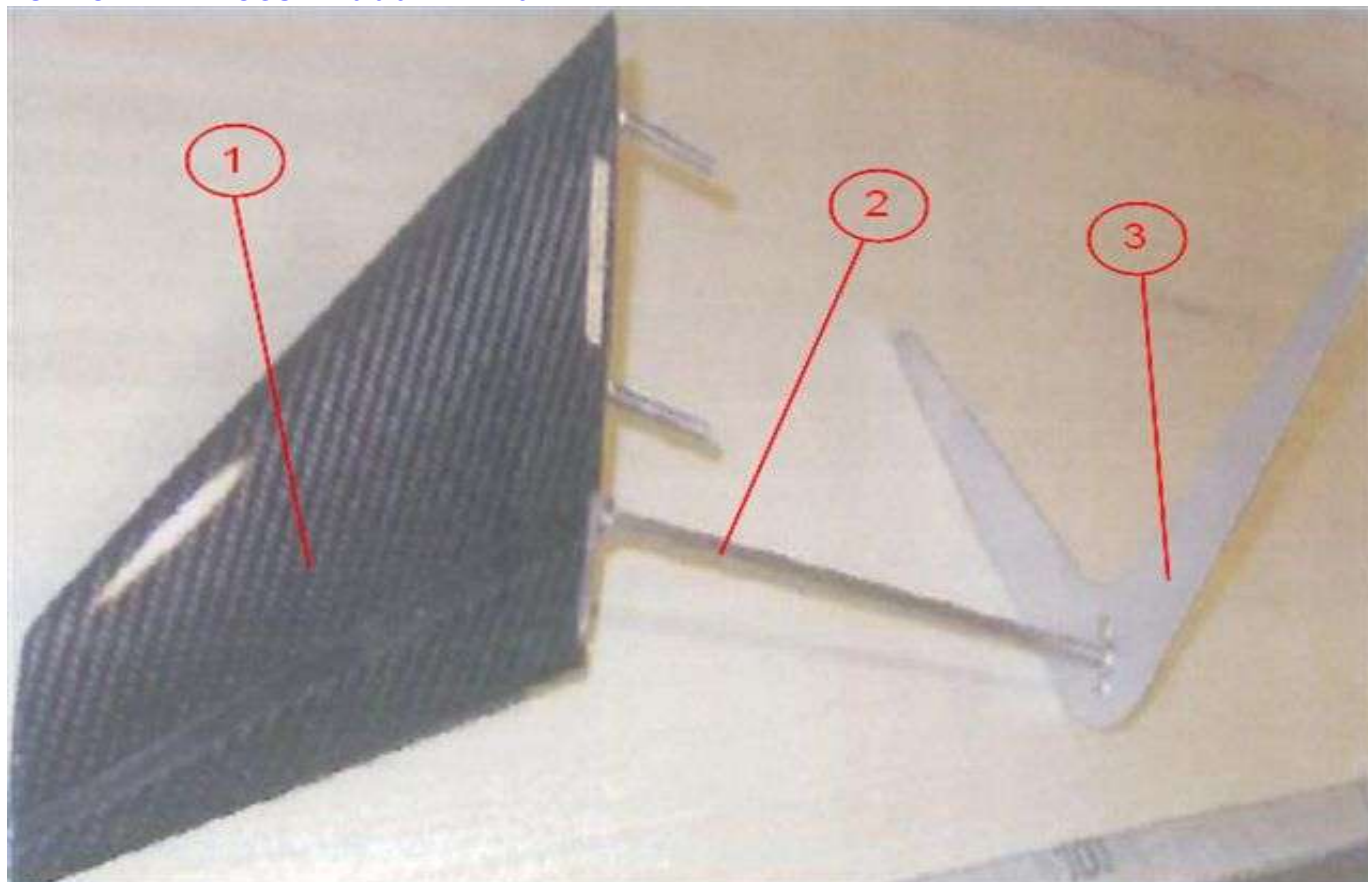
Fins and Rudders

N°	Code	Description
1	AVDESAGB	flanged nut M6 in anodized alloy. Dark blue
2	VAVASCT13	No. 2 steel slave
3	VAVADIR2/4	directional plate 2 - 4 - 4 + 4x small
	VAVADIR8	directional plate 4 + 8 + large
4	AASTAVFN	nylon rudder lock for 2 and 4
5	VAVASCTIT2B	titanium rudder pin for 2
	VAVASCTIT4B	titanium rudder pin for 4
6	VAVAPNTI	carbon fin for 2 -
	VAVASCTIT4	carbon fin for 4 -
7	VAVAPNTIT	carbon rudder flap for 2 -
	VAVASCTIT4T	carbon rudder flap for 4 -
8	AVV4010	Fin fastening screw 4x10
9	VAVASCT24	Stainless steel rudder for 2 - without yoke
	VAVASCT25	Stainless steel rudder for 4x, without yoke
	VAVASCT26	Stainless steel rudder for 8 +, without yoke
10	VAVASCD12	Anodized aluminium fin 2 -
	VAVASCD11	Anodized aluminium fin 4 + 4x 4
	VAVASCD08	Anodized aluminium fin 8 +
11	VAVASCD06BT	Carbon fin for single scull and double scull
12	VAVASCD03	Removable aluminium fin for double scull and single scull
13	VABXXA006A	washer no. 6



Filippi Lido S.r.l.- Via Matteotti 113- 57022 Donoratico (Italy) ph. +39 0565 777311 fax +39 0565 777483

LISTINO PFCATALOGUE 2 0 0 9 -- N° 29



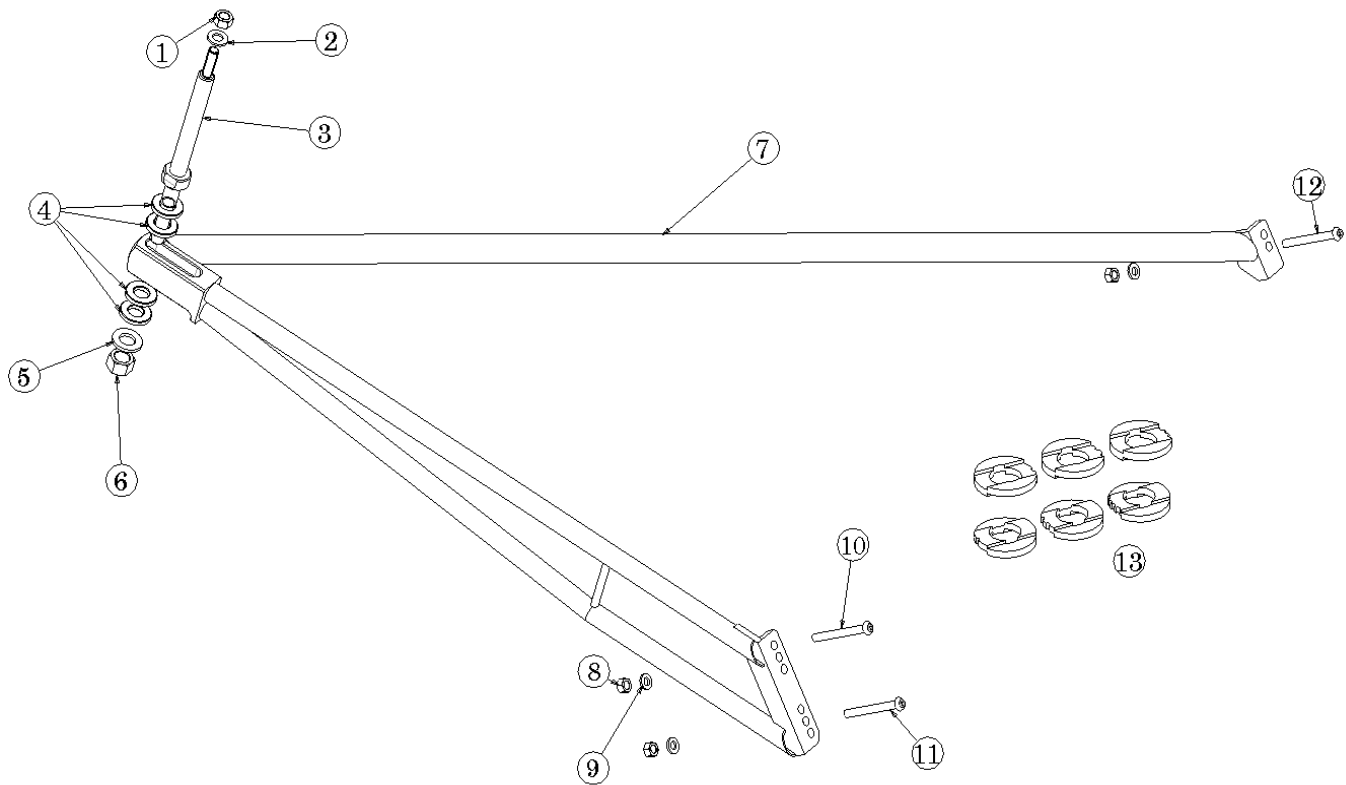
AeRowFin & Rudder

<i>N°</i>	<i>Code</i>	<i>Description</i>
1	VAVASCD06	Fin/rudder for coxed 8, full carbon
	VAVASCD06B	Fin/rudder for 4, full carbon
	VAVASCD06C	Fin/rudder for 2, full carbon
2	VAVASCTIT4D	Carbon fin/rudder pin 2/4/8
3	VAVASCTIT4E	T-bar for carbon fin/rudder 2/4/8



Felippi Lido S.r.l.- Via Matteotti 113- 57022 Donoratico (Italy) ph. +39 0565 777311 fax +39 0565 777483

CATALOGUE 2009 -- N° 29



Standard aluminium scull rigger

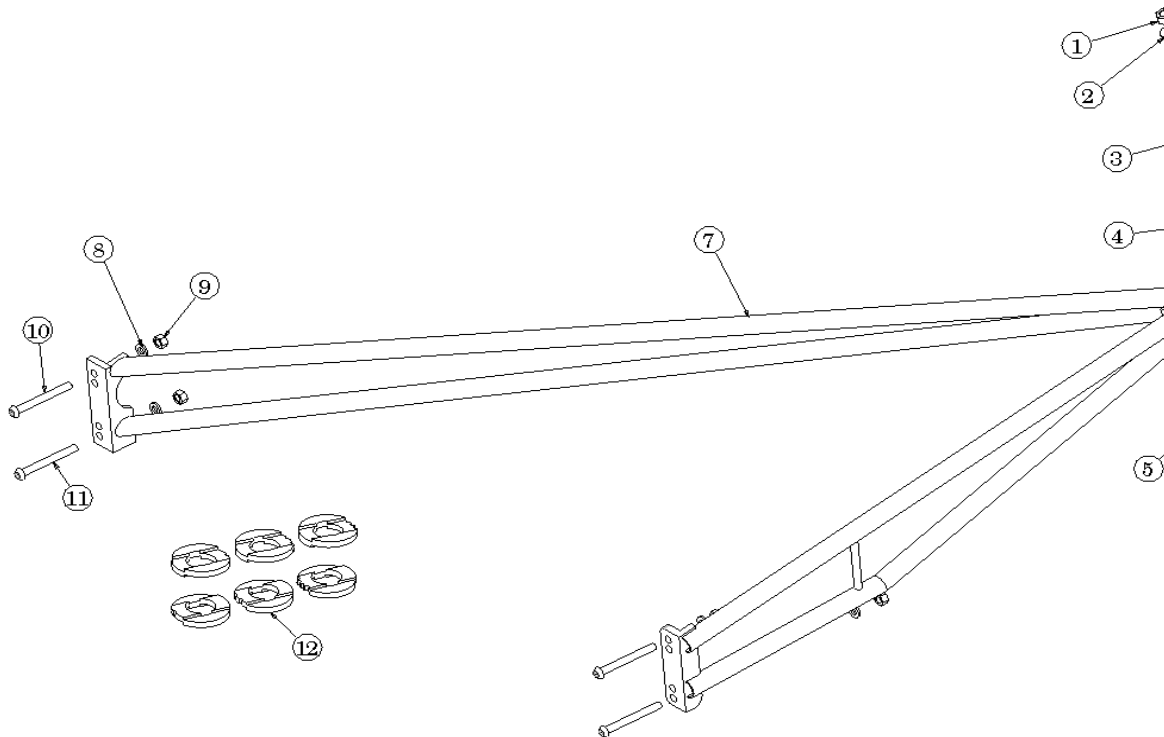
ref. N°	Code	Description
	VABC3T000	* Standard aluminium scull rigger with 5th tube, stainless steel pin and oarlock
07	VABC3T010	* Standard aluminium scull rigger, structure only
	VABC3T015	* Standard aluminium scull rigger with 5th tube and stainless steel pin
01	AVD8	Nut M8
02	VABXXA008A	Washer 8
03	VABCXC010	Machined stainless steel pin, scull
04	VABXXT005	5 mm thick aluminium washer for height
05	VABXXA012A	stainless steel washer 12
06	AVD12UNI	Nut M12
08	AVDESAG	Nut M6
09	VABXXA006A	Washer 6
10-12	VAVABUB01	Screw M6 flanged, 6x30 for single scull, 6x40 for double scull, coxless pair, coxless 4, coxed 4, 6x50 for coxed 8
11	VAVABUB01	Screw M6 flanged, 6x40 for single, 6x50 for double scull, coxless pair, coxed 4, coxless 4, 6x60 for coxed 8
13	VABXMC070	Set inclined washers for lateral pin adjustment
	VABXXM010	Black height adjustment washer
	VABCXC005	Oarlock, scull, Concept 2
	VABPXMK100	Oarlock, MK 1, scull
	VABPXMK120	Set of bushings MK 1, scull, for 2 oarlocks
	VABPXC020	Oarlock adjustment bushings for scull, Concept 2 (1 set)
		Bag for Standard aluminium scull rigger

*Provide serial number or type of boat



Filippi Lido S.r.l.- Via Matteotti 113- 57022 Donoratico (Italy) ph. +39 0565 777311 fax +39 0565 777483

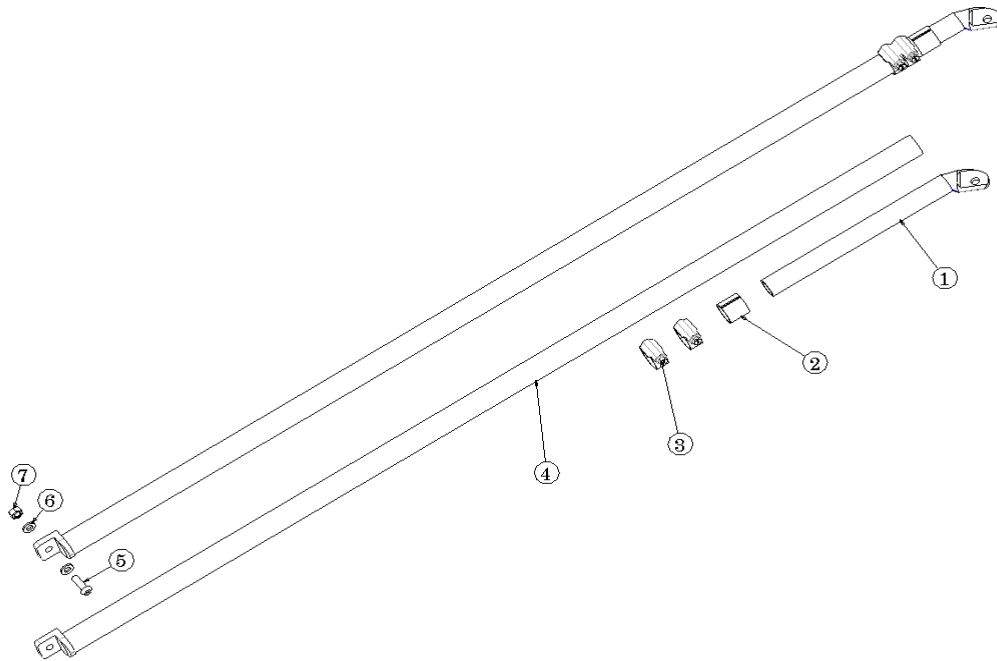
CATALOGUE 2009 -- N° 29



Standard aluminium sweep rigger

ref. N°	Code	Description
	VABP5T000	* Standard aluminium sweep rigger with 5th tube, stainless steel pin and oarlock
07	VABP4T010	* Standard aluminium sweep rigger, structure only
	VABP5T015	*Standard aluminium sweep rigger with 5th tube and stainless steel pin
01	AVD8	Nut M8
02	VABXXA008A	Washer 8
03	VABPXC010	Machined stainless steel pin, sweep
04	VABXXT005	5 mm thick aluminium washer for height
05	VABXXA012A	Washer 12
06	AVD12UNI	Nut M12
08	VABXXA006A	Washer 6
09	AVDESAG	Nut M6
10	VAVABUB01	Screw M6 flanged, 6x30 for single scull, 6x40 for double scull, coxless pair, coxless 4, coxed 4, 6x50 for coxed 8
11	VAVABUB01	Screw M6 flanged 6x40 for single scull, 6x50 for double scull, coxless pair, coxed 4, coxless 4, 6x60 for coxed 8
12	VABXMC070	Set of inclined washers for lateral pin adjustment
	VABXXM010	Black height adjustment washer
	VABCXC005	Oarlock, sweep, Concept 2
	VABPXMK100	Oarlock MK 1, sweep
	VABPXMK120	Set bushings MK 1, sweep, for 2 oarlocks
	VABPXC020	Oarlock adjustment bushings, sweep, Concept 2 (1 set)
		Bag for Standard aluminium sweep rigger

*Provide serial number or type of boat



Traditional aluminium backstay

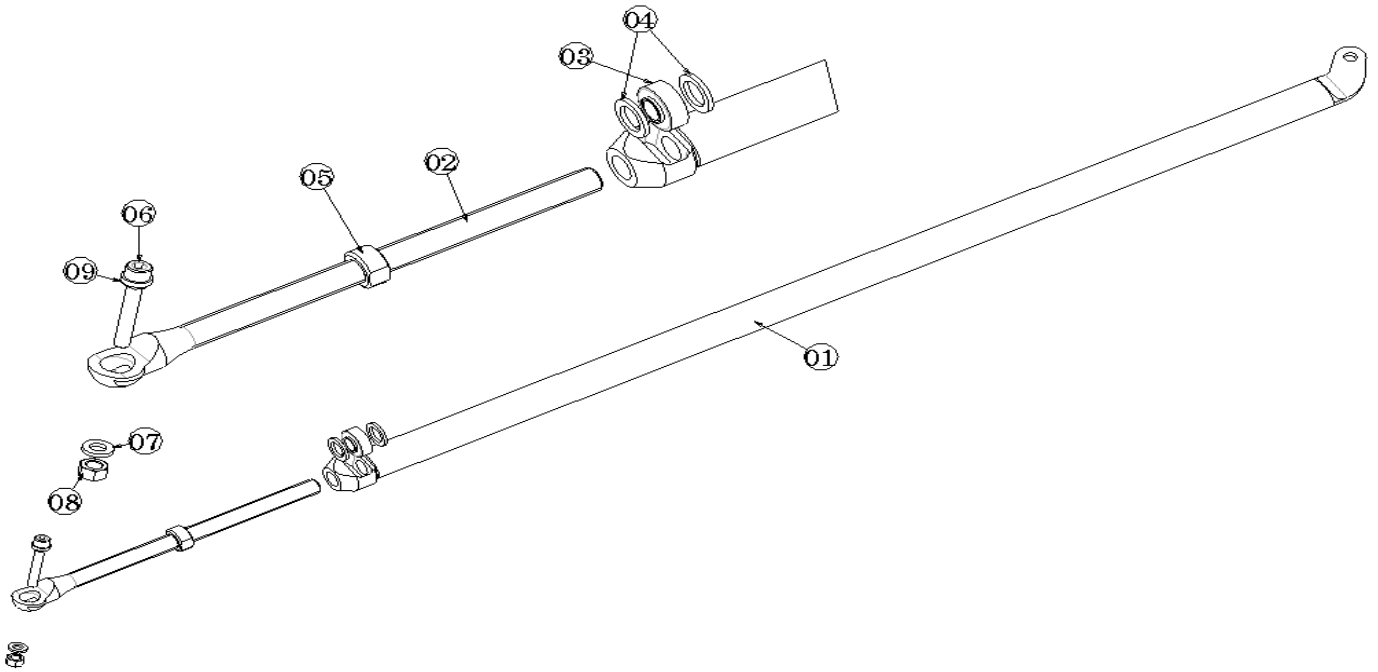
ref. N°	Code	Description
	VABX5T000	* Backstay with end pieces
	VABXXC020	Backstay, black anodized, with end pieces
01+02	VABX5T005	Threaded end pieces. Square bracket and ferrule
03	VABX5T010	Stainless steel clamp
04	VABX5T020	Backstay without end pieces
05	AVV6030A	Flanged screw M6x
06	VABXXA006A	Washer 6
07	AVDESAG	Nut M6

* Provide serial number or type of boat



Filippi Lido S.r.l.- Via Matteotti 113- 57022 Donoratico (Italy) ph. +39 0565 777311 fax +39 0565 777483

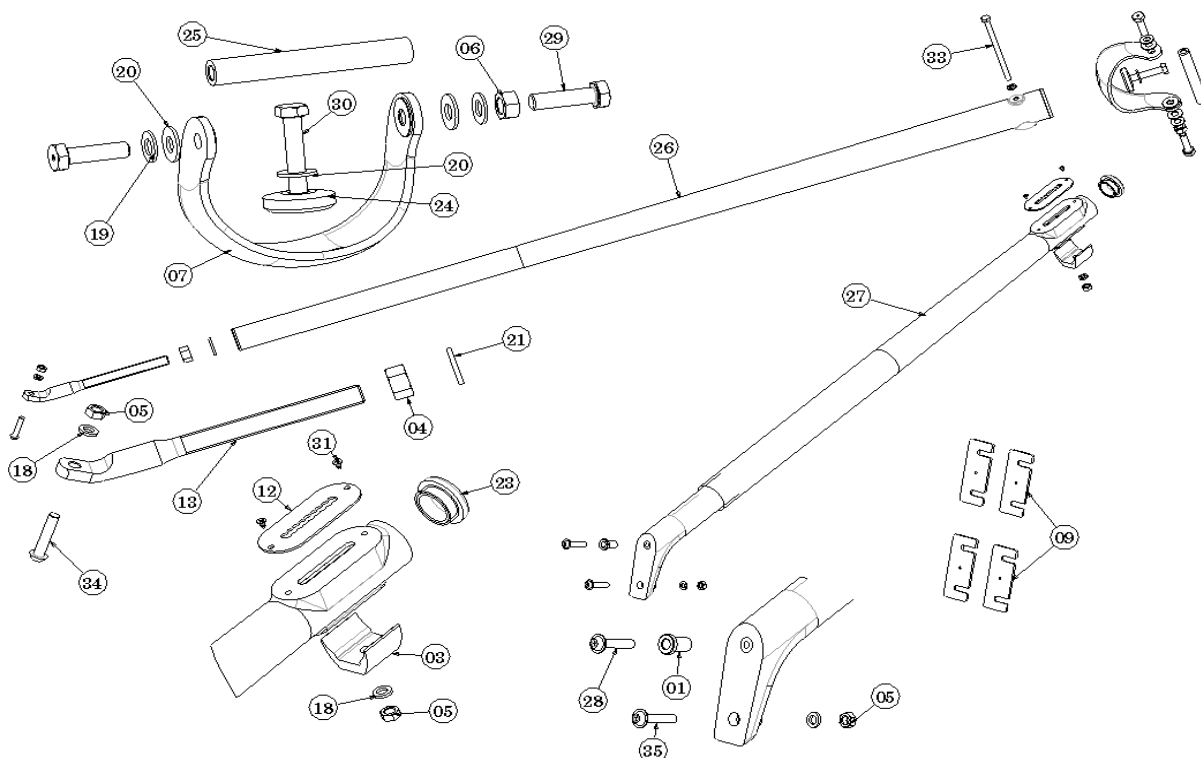
CATALOGUE 2 0 0 9 -- N° 29



Adjustable Backstay

N°	Code	Description
	F324A	* Adjustable Backstay, anodized grey, left
	F324B	* Adjustable Backstay, anodized grey, right
1	F325A	Oval tube, left
	F325B	Oval tube, Right
2	F326	Threaded foot for Adjustable Backstay
3	F327	Adjusting nut
5	F328	Aluminium nut M12
4	VABXXM010	Black height adjustment washer
6	AVV6030A	Allen head screw cyl. M6x30
7	VABXXA006A	Washer 6
8	AVDESAG	Nut M6
9	F329	Semi-sphere in black PVC for Adjustable Backstay

* Provide serial number of boat

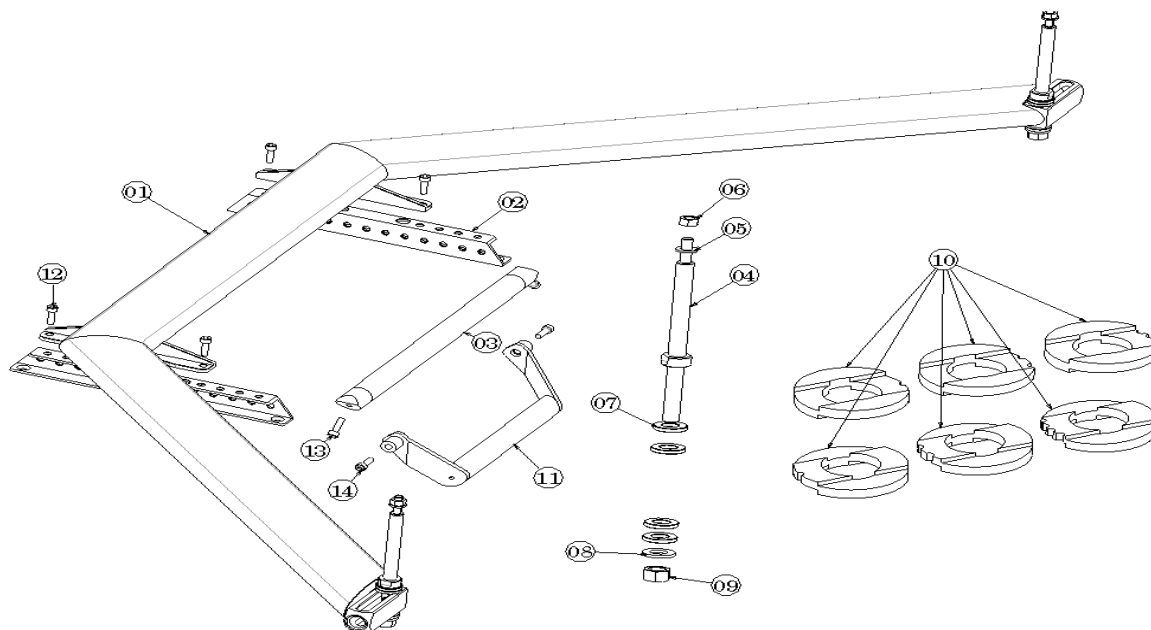


Carbon monotube rigger for scull and sweep

N°	Code	Description
	VABCMC000	* Carbon monotube rigger with hilt, pin and oarlock
	VABPMC000	* Carbon monotube rigger for sweep with hilt, pin and oarlock
	VABCMC005	* Carbon monotube double rigger with hilt, without pin and oarlock
	VABPMC015	* Carbon monotube rigger for sweep with hilt, without pin and oarlock
01	VABXF203	Stainless steel rib for Centina
03	VABXMC060	Black aluminium clevis pin
04	AVD12UNI	Nut M12
05	AVDESAG	Nut M6
06	AVD8	Nut M8
07	VABXMC010	Carbon hilt for scull and sweep, without pin and oarlock
	VABXMC015	Carbon hilt for scull and sweep, with pin, without oarlock
	VABXMC020	Carbon hilt for scull and sweep, with pin and oarlock
	VABXXM010	Black washer for height adjustment
09	VABCXT115	Set for height adjustment (4 pcs)
12	VAPEF284	Stainless steel span regulation plate scull/sweep
13	VABXMC085	Aluminium foot M12 for single scull
	VABXMC085	Aluminium foot M12 for 2X, 2-, 2X-
	VABXMC085	Aluminium foot M12 4X, 4-, 4X-
	VABXMC085	Aluminium foot M12 for coxed 8
18	VABXXA006A	Washer 6 mm
19	VABXXGL8	Glower Washer 8 mm
20	VABXXA008A	Washer 8 mm stainless steel
21	VABXXA012A	Stainless steel washer 12mm
23	VABXMC050	Threaded aluminium plugs for carbon riggers
24	VABXMC105	Large aluminium washers for blocking carbon hilt, scull
	VABXMC110	Large aluminium washers for blocking carbon hilt, sweep

25	VABXMC045	Stainless steel pin for carbon rigger
26	VABCMC010	Carbon compression tube with inserts for scull
	VABPMC010	Carbon compression tube with inserts for sweep
27	VABCMC020	Carbon support tube with foot for scull
	VABPMC020	Carbon support tube with foot for sweep
28	AVBA4M6040	Flanged head screw single scull
	AVBA4M6040	Flanged head screw for double scull
	AVBA4M6040	Flanged head screw for four
	AVBA4M6040	Flanged head screw for coxed eight
29	AVB830ES	M8x30 centered bolts
30	AVV835BC	Screw M 8x35 scull
	AVV855BP	Screw M 8x55 sweep
31	AVV315MC	Screw M 3x15
	AVBA4M6040	Bolts tbce C / flange A-4 M 6.0 x 40 steel
	AVBA4M6050	Bolts tbce C / flange A-4 M 6.0 x 50 steel
	AVBA4M6060	Bolts tbce C / flange A-4 M 6.0 x 60 steel
	AVBAMM60100	Bolts tbce C / flange -4 M 6.0 x 100 steel
	VABPXMK100	Oarlock MK 1 sweep
	VABPXMK120	Set bushings MK 1 sweep for 2 oarlocks
	VABPXC005	Nylon sweep oarlock Concept II
	VABPXC020	Oarlock adjustment bushings sweep Concept II (1 set)
	VABCXC005	Nylon oarlock for scull Concept II
	VABCXC020	Oarlock adjustment bushings scull Concept II (1 set)
	VABCXMK100	Oarlock MK 1 scull
	VABCXMK120	Set bushings MK 1 scull for 2 oarlocks
		Bag for monotube rigger, scull
		Bag for monotube rigger, sweep

*Provide serial number or type of boat



Aluminium wing scull rigger

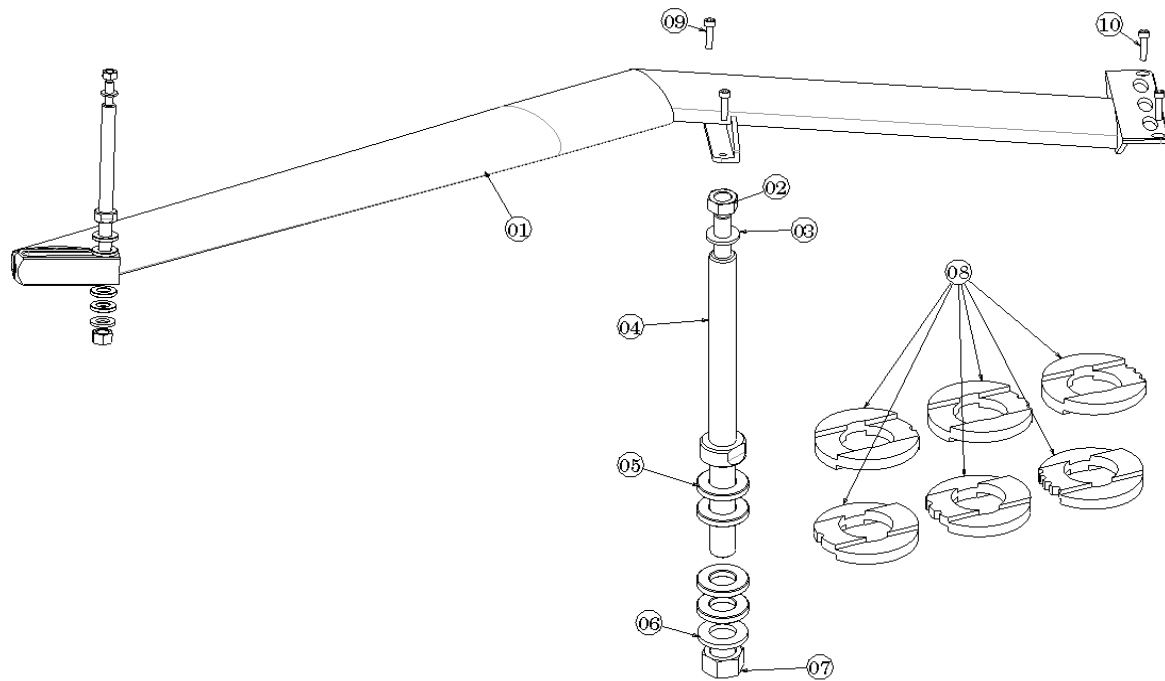
ref. N°	Code	Description
	VABCWA200	* Aluminium wing scull rigger, with titanium pin, 5th tube and oarlock
01	VABCWA215PT	* * Aluminium wing scull rigger, with titanium pin, 5th tube and oarlock
01	VABCWA210	* Aluminium wing scull rigger, structure only
02	VABCWC015	Anodized aluminium blocks for single scull with aluminium wing scull rigger
03	VAPEX4043	* Cross bar for standard single scull
04	VABXMC047	Pin in titanium and stainless steel
	VABCXC010	Machined stainless steel pin, scull
05	VABXXA008A	Washer 8
06	AVD8	Nut M8
07	VABXXT005	5 mm thick aluminium washer for height
08	VABXXA0012A	stainless steel washer 12
09	AVD12UNI	Nut M12
10	VABXMC070	Set of inclined washers for lateral pin adjustment
11	VABA1X001	* Crossbar in aluminium for single scull with aluminium wing scull rigger
12	AVV6030A	Allen head bolt cyl. for single scull M6x30
	AVBA4M6030	Allen head screw for double scull and four (4X) flanged M6x30
13	AVV6020A	Allen head bolt cyl. M 6x20
14	AVV6020A	Allen head bolt cyl. M 6x20
	VABCXC005	Oarlock, scull, Concept 2
	VABXXM010	Black height adjustment washer
	VABPXMK100	Oarlock MK 1, scull
	VABPXMK120	Set of adjustment bushings MK 1, scull, for 2 oarlocks
	VABPXC020	Oarlock adjustment bushings, scull, Concept 2 (1 set)
		Bag for aluminium wing scull rigger

*Provide serial number or type of boat



Filippi Lido S.r.l.- Via Matteotti 113- 57022 Donoratico (Italy) ph. +39 0565 777311 fax +39 0565 777483

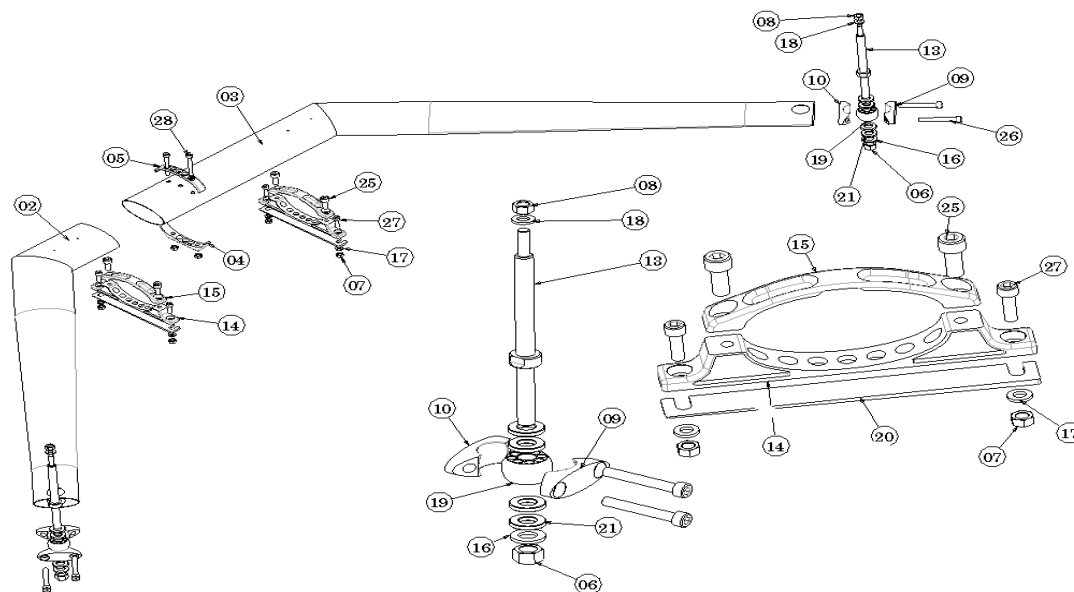
CATALOGUE 2 0 0 9 -- N° 29



Aluminium wing sweep rigger

N°	Code	Description
	VABPWA200	* aluminium wing sweep rigger, with titanium pin, 5th tube and oarlock
01	VABPWA215	* aluminium wing sweep rigger, with titanium pin, 5th tube and oarlock
	VABPWA210	* aluminium wing sweep rigger, structure only
02	AVD8	Steel nut M8
03	VABXXA008A	Stainless steel washer 8
04	VABPXC010	Machined stainless steel pin, sweep
	VABXMC048	Titanium pin, sweep
05	VABXXT005	5 mm thick aluminium washer for height
06	VABXXA0012A	Stainless steel washer 12
07	AVD12UNI	M12 stainless steel nut
08	VABXMC070	Set of inclined washers for lateral pin adjustment
09	AVV6030A	Cyl. Allen head screw M 6X30
10	AVV630	Countersunk Allen head screw M 6X30
	VABCXC005	Oarlock, sweep, Concept II
	VABXXM010	Black height adjustment washer
	VABPXMK100	Oarlock MK 1 sweep
	VABPXMK120	Set of bushings MK 1 for sweep for 2 oarlocks
	VABPXC020	Oarlock adjustment bushings, sweep, Concept II (1 set)
		Bag for aluminium wing sweep rigger

*Provide the serial number or type of boat



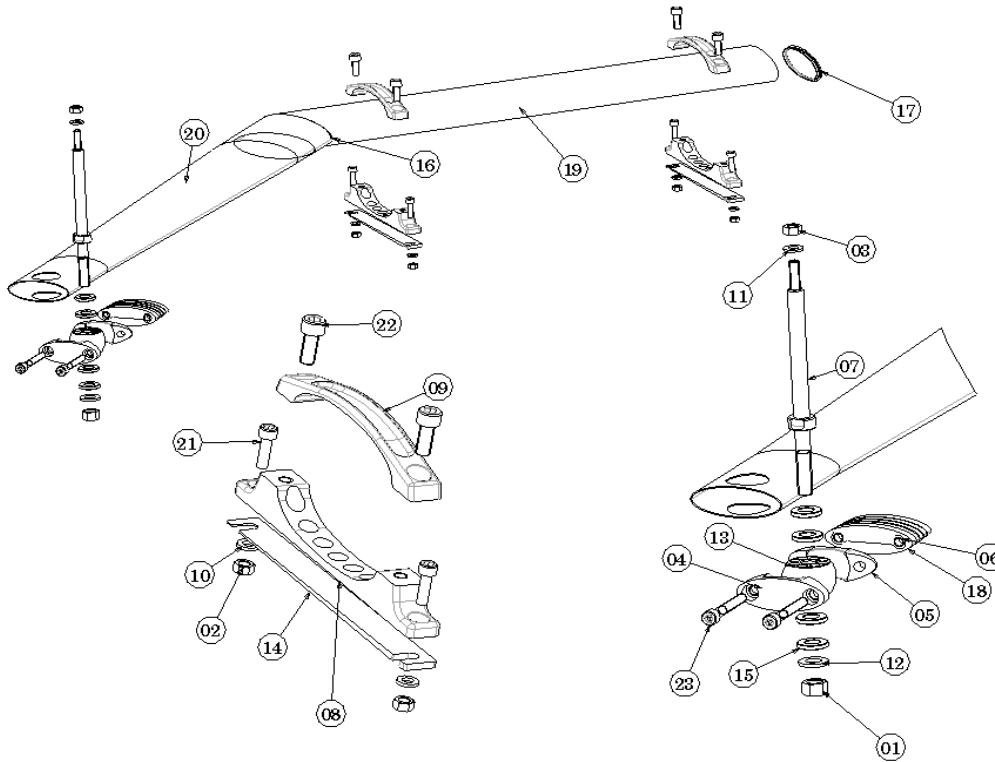
Carbon wing scull rigger

N°	Code	Description
	VABCWC000PT	* Carbon wing scull rigger with 5th tube, titanium pins and oarlock
02+03	VABCWC015PT	* Carbon wing scull rigger with 5th tube, titanium pins without oarlock
02+03	VABCWC010	* Carbon wing scull rigger with 5th tube, without pin, without oarlock
02+03	VABCWC010S	* Carbon wing rigger, structure only
05+04	VABCWC050	Aluminium clamp for fastening to gunwale, with screws
27	AVV6030A	Allen head screw cyl. M6x30
08	AVD8	Nut M8
18	VABXXA008A	Washer 8
13	VABXMC047	Titanium pin for scull
21	VABXXT005	5 mm thick aluminium washer
16	VABXXA012A	Washer 12
06	AVD12UNI	Nut M 12
26	AVV855	Screw 8 X 55 Allen head cyl.
17	VABXXA006A	Washer 6
07	AVDESAG	Nut M6
24	AVV815MC	M8 X 15 Allen head cyl.
15	ASPALLGS	Upper plate for mounting scull rigger
14	ASPALLGI	Lower plate for mounting scull rigger
10	ASPALLTCGI	Lower jaw fixture, scull
09	ASPALLTCGS	Upper jaw fixture, scull
19	ASPALLTC	Carbon wing sphere for scull
20	VABCXTAA	Wedge for reg. height for carbon wing, scull
	VABXXM010	Black washer for adjusting height
	VABCXC005	Nylon oarlock for scull, Concept II
	VABPXMK100	Oarlock MK 1 scull
	VABPXMK120	Set of bushings MK 1, scull, for 2 oarlocks
	VABPXC020	Oarlock adjustment bushings for scull, Concept II (1 set)
		Bag for Carbon wing scull rigger

*Provide serial number or type of boat



Filippi Lido S.r.l.- Via Matteotti 113- 57022 Donoratico (Italy) ph. +39 0565 777311 fax +39 0565 777483



Carbon wing sweep rigger

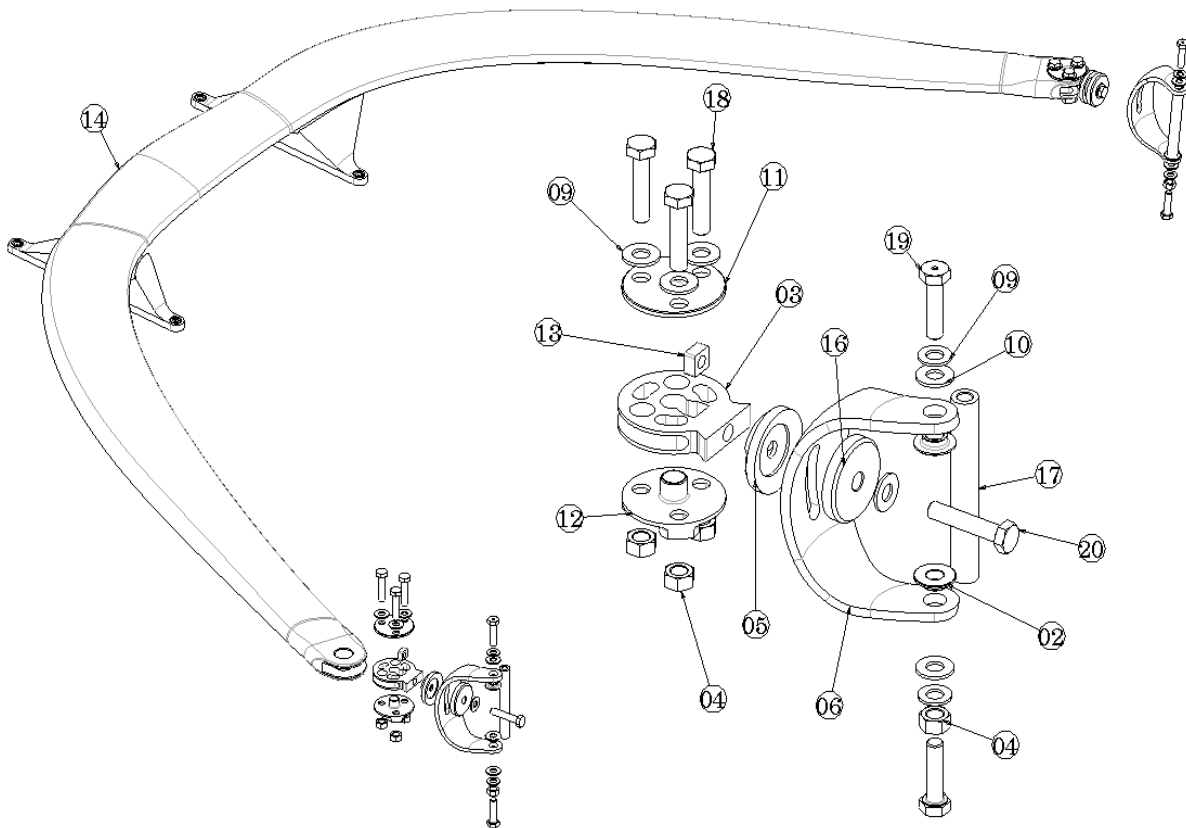
N°	Code	Description
	VABPWC000	Carbon wing sweep rigger with 5 tubes, titanium pin and oarlock
	VABPWC015PT	Carbon wing sweep rigger with 5 tubes, titanium pin, without oarlock
	VABPWC000S	Carbon wing sweep rigger, structure only without accessories
01	AVD12UNI	Nut M 12
12	VABXXA012A	Washer 12
15	VABXXT005	5 mm thick aluminium washer for height
23	AVV860	Allen head cyl. screw M8x60
04	ASPALLTPGS	Upper jaw fixture, sweep
13	ASPALLTP	Carbon wing sphere, sweep
05	ASPALLTPGI	Lower jaw fixture, sweep
07	VABXMC048	Titanium pin, sweep
	VABPXC010	Machined stainless steel pin, sweep
11	VABXXA008A	Stainless steel washer 8
03	AVD8	Nut M 8 stainless steel
17	VABXWC050	End cap in aluminium for carbon wing riggers
22	AVV815MC	M8 X 15 cyl. Allen head screw
08	ASPALLGIP	Attachment plate for carbon wing sweep rigger (lower)
09	ASPALLGSP	Attachment plate for carbon wing sweep rigger (upper)
21	AVV6030A	Cyl. Allen head screw M 6X30
10	VABXXA006A	Stainless steel washer 6
02	AVDESAG	M6 stainless steel nut
14	VABCXTAP	Height adjustment wedge for carbon wing sweep rigger
	VABXXM010	Black height adjustment washer
	VABCXC005	Nylon oarlock Concept II, sweep
	VABPXMK100	Oarlock MK 1 sweep

	VABPXMK120	Set of bushings MK 1 for sweep for 2 oarlocks
	VABPXC020	Oarlock adjustment bushings, sweep, Concept II (1 set)
		Bag for carbon wing sweep rigger



Filippi Lido S.r.l.- Via Matteotti 113- 57022 Donoratico (Italy) ph. +39 0565 777311 fax +39 0565 777483

CATALOGUE 2 0 0 9 -- N° 29



Aliante Carbon scull rigger

ref. N°	Code	Description
	VABCALC300	* Aliante Carbon scull rigger with hilt, steel and aluminium accessories and with Concept2 oarlocks
	VABCALC310	* Aliante Carbon scull rigger with hilt, steel and aluminium accessories, without oarlocks
14	VABCALC315	* Aliante Carbon scull rigger, structure only
04	AVD8	Nut M 8 stainless steel
	VABXAL020	Carbon hilt for Aliante, with pin and oarlock
	VABXAL015	Carbon hilt for Aliante with pin, without oarlock
06	VABXAL010	Carbon hilt for Aliante
02	VABXMC040	Hilt bushing
11	VABXAL023	Upper cup retainer for Aliante scull
12	VABXAL025	Lower cup retainer for Aliante scull
20	AVBA48040	Screw hex head M8x40
13	VABXAL030	Diaphragm nut Aliante, scull
03	VABXAL035	Span Aliante, scull
05	VABXAL040	Hilt holder Aliante, scull
17	VABXMC045	Stainless steel pin for carbon rigger
10	VABXXA008A	Stainless steel washer 8
09	VABXXGL8	Glomer Washer 8 mm
19	AVB830ES	M8x30 centered bolts
16	VABXMC105	Large aluminium washers for blocking carbon hilt, scull
18	AVBA48035	Screw M 8x35 hex head for span mounting system
	VABXXM010	Black height adjustment washer

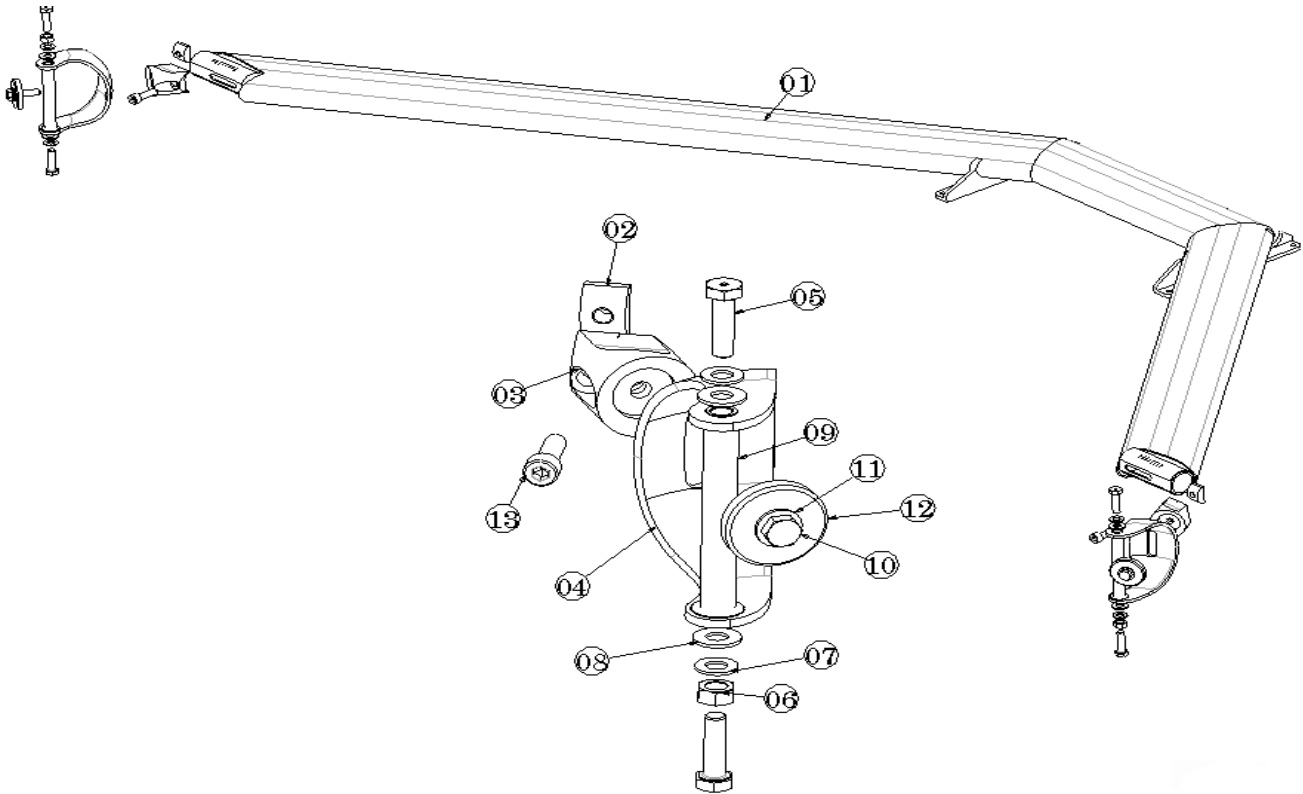
	VABCXC005	Nylon oarlock for scull, Concept II
	VABPXMK100	Oarlock MK 1 scull
	VABPXMK120	Set MK 1 bushings for scull for 2 oarlocks
	VABPXC020	Oarlock adjustment bushings, scull Concept II (1 set)
		Bag for Aliante Carbon scull rigger

*Provide serial number or type of boat



Filippi Lido S.r.l.- Via Matteotti 113- 57022 Donoratico (Italy) ph. +39 0565 777311 fax +39 0565 777483

CATALOGUE 2 0 0 9 -- N° 29



Aluminium Aliante scull rigger

rif. N°	Code	Description
	VABCALA500	* Aluminium Aliante rigger with accessories in steel and aluminium and oarlocks
	VABCALA510	* Aluminium Aliante rigger with hilt and accessories in steel and aluminium, without oarlocks
1	VABCALA515	aluminium Aliante rigger, structure only
2	VABXALA030	steel crescent nut for aluminium Aliante rigger
3	VABXALA040	Aluminium hilt holder insert for aluminium Aliante rigger
4	VABXMC010	Carbon hilt, scull and sweep, without pin and oarlock
5	AVB830ES	M8x30 centered bolts
6	AVDESAG	M6 stainless steel nut
7	VABXXGL8	Glower washer 8 mm
8	VABXXA008A	Flat washer 8 mm steel
9	VABXMC045	Stainless steel pin for carbon rigger
10	AVV835BC	Screw M 8x35 scull
11	VABXXA008A	Flat washer 8 mm steel
12	VABXMC105	Large aluminium washers for blocking carbon hilt, scull
13	AVV8020C	Allen screw cyl. head M8 x 20
		Bag for Aluminium Aliante scull rigger

*Provide serial number or type of boat



Filippi Lido S.r.l.- Via Matteotti 113- 57022 Donoratico (Italy) ph. +39 0565 777311 fax +39 0565 777483

CATALOGUE 2 0 0 9 -- N° 29

<i>Rowing Accessories</i>	
VAVAREVOR	Vortex Edge
VAVARECP	Clam sleeve for scull / sweep CII rowing
	Scull and sweep buttons for oars CII
VAVAREAC06	Wooden handle, scull
VAVAREAP05	Wooden handle, sweep
	Adjustable carbon handle, scull, without grip
	Adjustable carbon handle, sweep, without grip
VAVAREA021	Sleeve, sweep, C II black/green
	Sleeve, scull, C II black/green
VAVAREA06	CII grip scull/sweep with plastic support
VAVAREA15	Sweep handle (end) without support
VAVAREA16	Grip, sweep, (intermediate)
	Grip for sculling oars, CII
VAVAREASTA	Stampfli grip
	Blade, scull, BB/ smoothie
	Blade, sweep, BB / smoothie
<i>Nielsen-Kellerman Merchandise</i>	
VACXNK201	Speaker for NK Cox-Box
VACXNK3	Cable for Cox-Box for 8 + 3 outlets
VACXNK2	Cable for Cox-Box for 4 + 2 outlets
VASCNK040	Clip for SC and SP Cable (black)
VACXNK300	Cox-box, 3 speaker sections, for 8 +
VASPNKR020	
	Microphone and band for COX-BOX
VASPNKG010	SPC Gold & XL/USB Interface
VAIN2NK000	Interval 2000 N & K
VASCNK030	Magnet for Speed, Stroke, and Cox Box
VASCNK011	T plate, NK footplate
VASPNKR010	Plate Speed-Coach N & K
VASCNK010	Plate-Stroke Coach N & K
VASPNKG	Speed Coach Gold with NK
VASPNKG000	Speed Coach Gold unit only
VASPNKR000	Speed Coach Red NK complete
VASPNKXL100	Speed Coach XL1 complete
VASPNKXL120	Speed Coach XL1 only computer and charger
VASPNKL200C	Speed Coach XL2 complete
VASPNKL200	Speed Coach XL2 only computer and charger
VASPNKL300C	Speed Coach XL3 Complete
VASPNKL300	Speed Coach XL3 only computer and charger
VASPNKL400C	Speed Coach XL4 Complete
VASPNKL400	Speed Coach XL4 only computer and charger
VASCNKR000	Stroke Coach N-K Complete
VASCNKR000	Stroke Coach N-K wireless, complete
VASCNK065	Cover for SC and SP cap battery with O-ring
<i>Miscellaneous</i>	
VAVASCT10	Stainless steel cable - diameter 1.5 mm (per meter)
VAVASC018	X belt to tie the boats a 3 m.
VACOPE2	Cover for double scull
VACOPE4	Cover for four
VACOPE8	Covered for coxed 8

VACOPE1	Cover for single scull
AUCRISTO	Cristo (support for loading boats)
VAVASCT11	Steel conduit for cable (per meter)
VAVAIMP01	Oar Pitch adjuster
VAVAIMP02	Inclinometer for carbon riggers (Pitch meter)
VAVASC017	Elastic strap to secure the seat
VAVASC001	Protective bow ball
VAVASC006	Plastic number plate
VAVASC005	Plastic flap, diameter 100 mm
VAVASC008	Plastic flap, diam. 160 mm
	Small flap
ACNAFIIM	Roll of FILIPPI packing tape
VAVAXA002	Rigger measuring stick
AMVDH03	Spray paint (spray can) 520 ml
AMVD802	Paint, slow 802 catalyst for 700D
